



Livestock Intelligence

# SYRINGE CATALOG



## Repeater Syringes



### 50MR2

(Adjustable dosage from 1ml to 5ml)  
SKU: 50MR2



### 50MR2

- Accurately delivers selected dose
- Easy grip for high volume use
- Barrel and needle attachment are fully autoclavable
- Streamlined design with fewer replacement parts
- Amber-colored barrel reduces UV sunlight exposure
- Color Knob Pack available to differentiate between medications



### LONG RANGE BARREL

The LR Barrel is designed for use with extended release deworming products that require a specialized plastic barrel.

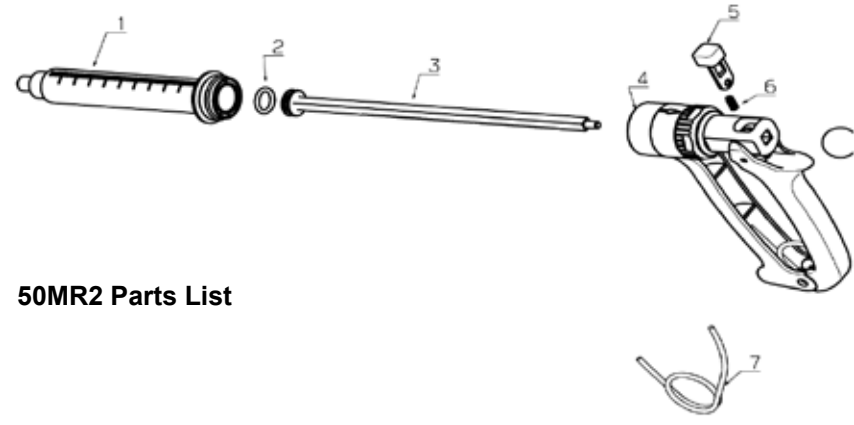
SKU: LR-BARREL



### SGNOZZLE/BARREL

Sheep & Goat Drench Barrel

SKU: 50MR SG NOZZLE/BARREL



50MR2 Parts List

SKU	Item	Description
50MR2-PO	2	Piston O-Ring 50 ML
50MR2-B	1	Plastic Barrel 50 ML LL
50MR2-B/PO		Barrel & Piston O-Ring
50MR2-RH		Replacement Handle
50MR2-PR/R	3	Piston+piston rod 50 ML
50MR2-RH	4	Handle 50 ML CPL
MR2-LS	5	Locking sleeve CPL
MR2-LLSP	6	Spring for locking sleeve
MR2-HS	7	Handle spring
MR2-KNOB-K	8	Knob Black
MR2-KNOB-B	8	Knob Blue
MR2-KNOB-R	8	Knob Red
MR2-KNOB-Y	8	Knob Yellow
MR2-KNOB-PACK	8	Knob Pack

## Repeater Syringes



### 25MR2

(Adjustable dosage from .5ml to 2.5ml)  
SKU: 25MR2



### 25MR2

- Accurately delivers selected dose
- Easy grip for high volume use
- Barrel and needle attachment are fully autoclavable
- Streamlined design with fewer replacement parts
- Amber-colored barrel reduces UV sunlight exposure
- Color Knob Pack available to differentiate between medications



### LONG RANGE BARREL

The LR Barrel is designed for use with extended release deworming products that require a specialized plastic barrel.

SKU: LR-BARREL

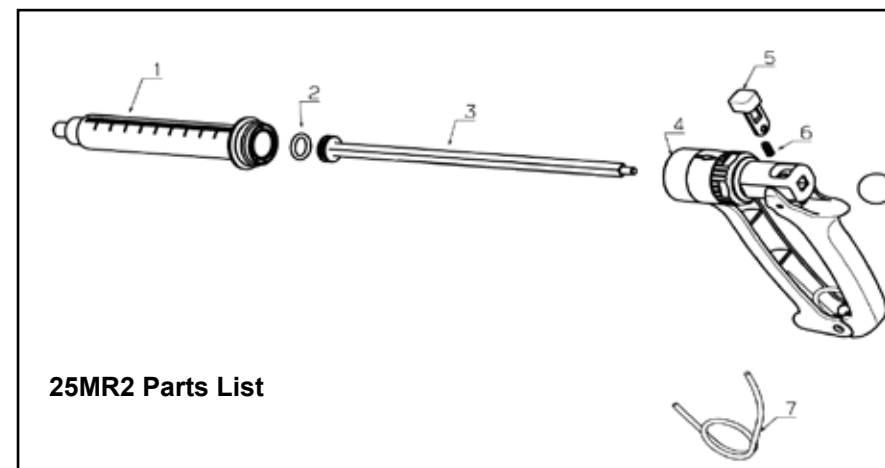
## ACCESSORIES

### Color Code Injection Accuracy System

Interchangeable colored knobs let you dedicate a particular syringe to a selected vaccine or therapeutic compound to ensure proper administration and avoid mistakes.



(MUST BE ORDERED SEPARATELY)



25MR2 Parts List

SKU	Item	Description
25MR2-PO	2	Piston O-Ring 25 ML
25MR2-B	1	Plastic Barrel 25 ML LL
25MR2-B/PO		Barrel & Piston O-Ring
25MR2-RH		Replacement Handle
25MR2-PR/R	3	Piston+piston rod 25 ML
25MR2-RH	4	Handle 25 ML CPL
MR2-LS	5	Locking sleeve CPL
MR2-LLSP	6	Spring for locking sleeve
MR2-HS	7	Handle spring
MR2-KNOB-K	8	Knob Black
MR2-KNOB-B	8	Knob Blue
MR2-KNOB-R	8	Knob Red
MR2-KNOB-Y	8	Knob Yellow
MR2-KNOB-PACK	8	Knob Pack

## EM Syringes

**2EM**  
(Adjustable dosage from .25ML to 2ML)  
SKU: 2EM

**5EM**  
(Adjustable dosage from .5ML to 5ML)  
SKU: 5EM



### 2EM & 5EM Tube Fed Syringes

- Accurately delivers selected dose
- Easy V-grip for high volume use
- Metal Luer Lock tip
- Removable barrel for cleaning
- Durable plastic design
- Amber-colored barrel and tubing reduce UV sunlight exposure

**LD.3EM-BT**  
(Adjustable dosage from .1ML to .3ML)  
SKU: LD.3EM-BT

**2EM-BT**  
(Adjustable dosage from .25ML to 2ML)  
SKU: 2EM-BT

**5EM-BT**  
(Adjustable dosage from .5ML to 5ML)  
SKU: 5EM-BT



### LD.3EM, 2EM & 5EM Bottle Fed Syringes

- Automatic self-filling with bottle attachment
- Heavy-Duty Bottle Cage for bottle protection (50ML & 100ML bottles only)
- Accurately delivers selected dose
- Easy V-grip for high volume use
- Metal Luer Lock tip
- Removable barrel for cleaning
- Durable plastic design
- Amber-colored barrel reduces UV sunlight exposure

**2EM-BT-UBA**  
(Adjustable dosage from .25ML to 2ML)  
SKU: 2EM-BT-UBA-GRAY

**5EM-BT-UBA**  
(Adjustable dosage from .5ML to 5ML)  
SKU: 5EM-BT-UBA-GRAY



### 2EM & 5EM Bottle Fed Syringe with Universal Bottle Adapter

- Automatic self-filling with universal bottle adapters
- Five Color coded "Universal Bottle Adapters" included
- Universal Bottle Adapters enable multi-size bottles to fit on the syringe
- Metal Luer Lock Tip
- Removable barrel for cleaning
- Durable Plastic Design
- Amber-colored Barrel reduce UV sunlight exposure

#### Universal Bottle Adapters



SKU	Description	SKU	Description
2EM	2ML AUTOMATIC REUSABLE SYRINGE	5EM	5ML AUTOMATIC REUSABLE SYRINGE
2EM-3	2ML AUTOMATIC REUSABLE SYRINGE w/3 DRAW OFFS	5EM-3	5ML AUTOMATIC REUSABLE SYRINGE w/3 DRAW OFFS
2EM-A	2ML AUTOMATIC REUSABLE SYRINGE w/20MM DRAW	5EM-A	5ML AUTOMATIC REUSABLE SYRINGE w/20MM DRAW
2EM-B	2ML AUTOMATIC REUSABLE SYRINGE w/30MM DRAW	5EM-B	5ML AUTOMATIC REUSABLE SYRINGE w/30MM DRAW
2EM-C	2ML AUTOMATIC REUSABLE SYRINGE w/33MM DRAW	5EM-C	5ML AUTOMATIC REUSABLE SYRINGE w/33MM DRAW
2EM-S	2ML AUTOMATIC REUSABLE SYRINGE w/PLASTIC SPIKE	5EM-S	5ML AUTOMATIC REUSABLE SYRINGE w/PLASTIC SPIKE
EM.3ORING	PISTON O-RING 0.3 ML	EM1ORING	PISTON O-RING 1 ML
EM.5ORING	PISTON O-RING 0.5 M	EM2ORING	PISTON O-RING 2 ML
		EM5ORING	PISTON O-RING 5 ML

## UM Syringes

**1UM-T**  
(Adjustable dosage from .1ML to 1ML)  
SKU: 1UM-T

**2UM-T**  
(Adjustable dosage from .1ML to 2ML)  
SKU: 2UM-T



### 2UM Tube Fed Syringe

- Automatic self-filling tube feed
- Adaptable to bottle feed
- Accurately delivers selected dose
- Ergonomic grip for comfort
- Steel plunger (no O-ring) with precision glass barrel
- Adjustable pin-lock handle design

### 2UM Bottle Fed Syringes

- Heavy-Duty Bottle Cage for bottle protection (50ML or 100ML bottles only)
- Adaptable to tube feed
- Accurately delivers selected dose
- Easy grip for high volume use
- Steel plunger (no O-ring) with precision glass barrel
- Adjustable pin-lock handle design

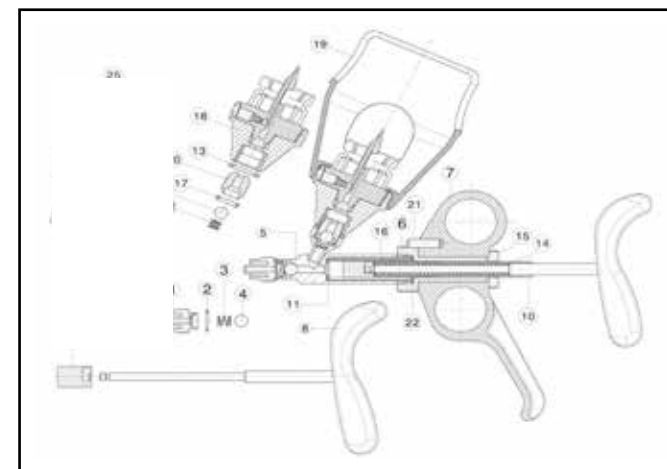
**2UM**  
(Adjustable dosage from .1ML to 2ML)  
SKU: 2UM



**5UM-BT/T**  
(Adjustable dosage from .5ML to 5ML)  
SKU: 5UM-BT/T

### 5UM-BT/T Automatic Syringe

- 5ML automatic self-filling syringe
- Adaptable as a tube feed syringe or bottle top syringe
- Steel Plunger (no O-ring) with precision glass barrel
- Adjustable pin-lock handle design for easy conversion
- Heavy-Duty Bottle Cage for bottle protection (50ml & 100ml bottles only)



SKU	Item	Description		
1UM-B	2UM-B	5UM-B	1	Glass Barrel 1ML/2ML/5ML
1UM-MSK	2UM-MSK	5UM-MSK		Major Service Kit
1UM-SK	2UM-SK	5UM-SK		Minor Service Kit
		5UM-BT		
		5UM/T-3		
XP14	XP14	XP14	1	Nozzle Luer-Lock
XP01	XP01	XP01	2	Washer
XP02	XP02	XP02	3	Compressing spring
XP03	XP03	XP03	4	Metal ball
1UM04	2UM04	5UM04	5	Barrel sleeve
XP04	XP04	XP04	6	Sleeve
XP05	XP05	XP05	7	Handle black
XP06	XP06	XP06	8	Piston rod w. handle
1UM08	2UM08	5UM08	9	Piston
XP10	XP10	XP10	10	Adjusting sleeve
1UM10	2UM10	5UM10	11	Washer
XP08	XP08	XP08	12	Compressing spring
XP09	XP09	XP09	13	Washer
XP11	XP11	XP11	14	Compressing ring
XP12	XP12	XP12	15	Knurled screw
1UM-B	2UM-B	5UM-B	16	Glass Barrel 1ml
XP13	XP13	XP13	17	Washer
XP-BATT	XP-BATT	XP-BATT	18	Bottle attachment w/o basket
XP-CAGE	XP-CAGE	XP-CAGE	19	Basket
XP17	XP17	XP17	20	Valve screw
XP16	XP16	XP16	21	Pin
1UM11	2UM11	5UM11	22	Washer

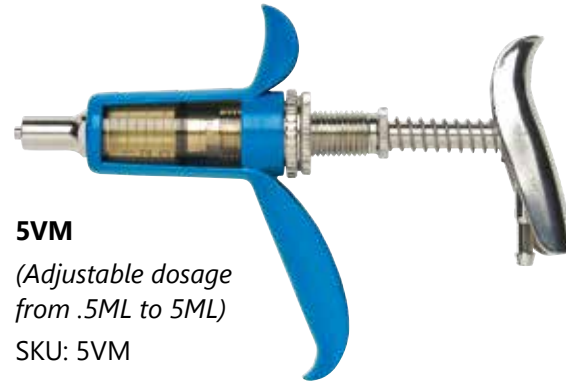
# DRAW-OFF INJECTION SYRINGES

## Draw-Off Syringes

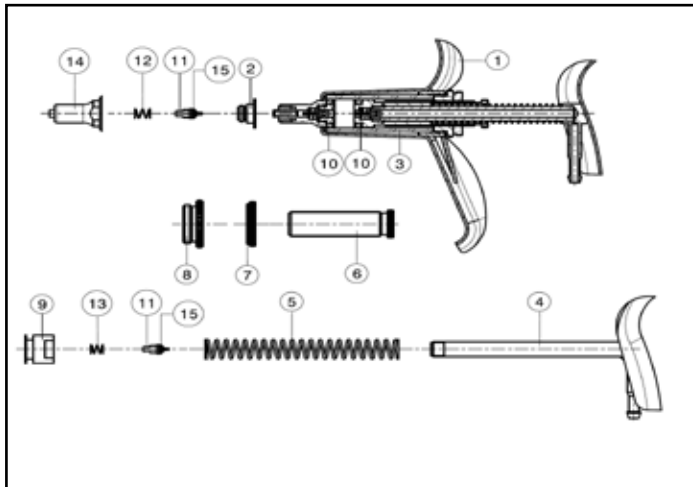


### 5VM Draw-Off Injection Syringe

- Automatic self-filling tube feed
- Accurately delivers selected dose
- Easy grip for high volume use
- Piston and O-ring plunger
- Amber-colored barrel and tubing reduce UV sunlight exposure



**5VM**  
(Adjustable dosage from .5ML to 5ML)  
SKU: 5VM



SKU	Item	Description
5VM		5ml Automatic Syringe Tube Feed
5VM-A		5ml Automatic Syringe Tube Feed/20MM Draw Off
5VM-B		5ml Automatic Syringe Tube Feed/30MM Draw Off
5VM-C		5ml Automatic Syringe Tube Feed/33MM Draw Off
5VM-3		5ml Automatic Syringe Tube Feed/20,30,33MM Draw Off
XP20	1	Barrel Housing
5VM02	2	Mounting Hub
XP21	3	Plastic Barrel 5 CC
5VM03	4	Piston Rod
XP21-SPRING	5	Compression Spring
XP22	6	Dose Rod
XP23	7	Locking Nut
XP24	8	Barrel Lock Nut
5VM08	9	Piston
XP25	10	O-ring
XP26	11	Valve with Washer
XP02	12	Valve Spring
XP08	13	Valve Spring
5VM13	14	Front Luer Lock
XP27	22	Washer
AT18	24	PVC Amber Tube
5VM-SK	10(2ea),11(2ea),12,13	Minor Service Kit
5VM-MSK	3,10(2ea),11(2ea),12,13	Major Service Kit

# DRAW-OFF INJECTION SYRINGES

### 10VM & 20VM Draw-Off Injection Syringes

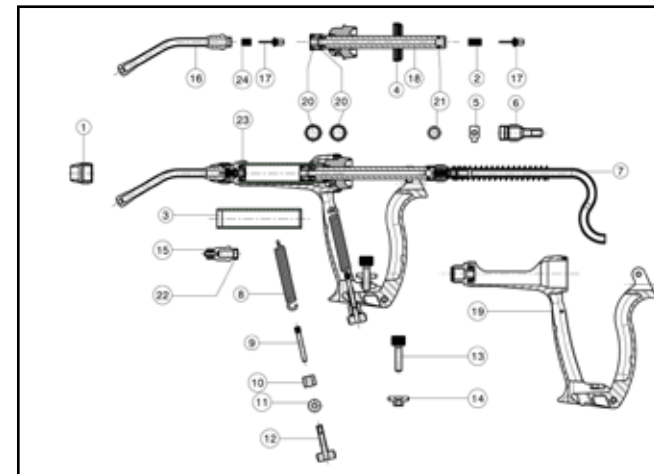
- Automatic self-filling tube feed
- Designed to be used as an injector or drencher
- Accurately delivers selected dose
- Easy V-grip for high volume use
- Easy to adjust handle tension for improved performance
- Durable metal and plastic design
- Double O-ring piston
- Easy-to-clean external valves and removable piston shaft
- Amber-colored barrel and tubing reduce UV sunlight exposure



**10VM**  
(Adjustable dosage from .5ML to 10ML)  
SKU: 10VM-S



**20VM**  
(Adjustable dosage from 1ML to 20ML)  
SKU: 20VM-S



#### Drench Nozzles

- 5 1/2" Drench Nozzle for 10VM/20VM  
SKU: **D-NOZ**
- 3" Drench Nozzle for 10VM/20VM  
SKU: **S-NOZ**

SKU	Item	Description
10VM-S	20VM-S	10ML & 20ML Automatic Syringe
10VM-S-A	20VM-S-A	10ML & 20ML Automatic Syringe/20MM Draw Off
10VM-S-B	20VM-S-B	10ML & 20ML Automatic Syringe/30MM Draw Off
10VM-S-C	20VM-S-C	10ML & 20ML Automatic Syringe/33MM Draw Off
10VM-S-3	20VM-S-3	10ML & 20ML Automatic Syringe/20, 30, 33MM Draw Off
10VM-SD	20VM-SD	10ML & 20ML Automatic Syringe/Drencher
10VM-ORING	20VM-ORING	20 18 Piston O-ring (20ML)
10VM-HAN	20VM-HAN	19 Complete Handle Assembly
10VM-BAR	20VM-BAR	3 Amber Plastic Barrel
LLTIP	LLTIP	15 Luer Lock Nozzle
XP36	XP36	1 Nozzle Nut
XP37	XP37	5 & 17 Valve with O-ring
XP38	XP38	2 & 24 Valve Spring
10VM-ROD	20VM-ROD	18 7 Piston Rod 20ML
XP39	XP39	4 Retaining Nut
XP40	XP40	6 Tubing Attachment
AT-10VM	AT-20VM	7 PVC Tube length 1,7 m
XP41	XP41	8 Draw Spring
XP42	XP42	9 Spring Rod
XP43	XP43	14 Dosage Lock Nut
XP44	XP44	13 Dosage Screw
XP45	XP45	10 Tension Bushing
XP46	XP46	11 Tension Washer
XP47	XP47	12 Tension Screw
XP48	XP48	17 Lever Wear Pads (One-Piece)
XP49	XP49	21 O-ring (Rear Valve Housing)
XP50	XP50	22 O-ring LL+Drench nozzle
XP13	XP13	20 O-ring (Luer Lock Nozzle and Drench Nozzle)
10VM01	20VM01	23 O-ring (Barrel Mounting Hub)
10VM-SK	20VM-SK	5(2ea),6(2ea),17,18(2ea),19,20(2ea),21 Minor Service Kit Includes: Washer, Valve Spring, Ball (2ea.), Washer, Valve, Spring Washer, O-Ring, Washer (Red)
10VM-MSK	20VM-MSK	2,5(2ea),6(2ea),17,18(2ea),19,20(2ea),21 Major Service Kit Includes: Washer, Valve Spring, Ball (2 ea.), Washer, Valve Spring, Washer, Washer, Glass Barrel (2ml), O-Ring, Washer (Red)
BACK 25	BACK 25	2.5 Liter Back Pack
BACK 5L	BACK 5L	5 Liter Back Pack
D-NOZ	D-NOZ	5 1/2" Drench Nozzle
S-NOZ	S-NOZ	3" Drench Nozzle

## Allflex HSW EM Fixed Dose Syringes

- **Automatic self-filling syringe for injection**
- **Fixed Dose .5ml (Gray), 1ml (Red) and 2ml (Black)**

Syringes are fixed at the specific dosage for each model, for accuracy in dispensing medications and vaccines. The dosage cannot be changed or adjusted with these models. These syringes have an accuracy guarantee of +/-2% to dispense the set dosage.

### **.5ml EM Fixed Dose UBA (Universal Bottle Adapter)**

White (20mm) and Blue (30mm) Bottle Collar  
SKU: .5EM-BT-UBA-FD (Color = Gray)

### **1ml EM Fixed Dose UBA (Universal Bottle Adapter)**

White (20mm) and Blue (30mm) Bottle Collar  
SKU: 1EM-BT-UBA-FD (Color = Red)

### **1ml EM Traditional Tubing**

White (20mm) and Blue (30mm) Draw-Off Caps, Hose 1.8 meter (clear)  
SKU: 1EM-FD (Color = Red)

### **2ml EM Traditional Tubing**

White (20mm) and Blue (30mm) Draw-Off Caps. Hose 1.8 meter (clear)  
SKU: 2EM-FD (Color = Black)

**Syringes available individually or in cases of 25**



## Multi-Purpose Dosing Instruments

### **12.5ML, 30ML, 70ML Luer Tip Injector, 5.5" Drencher Nozzle, Pour On Tip**

- Automatic self-filling syringe
- Easy set dial-a-dosage with easy view dosage window
- Tips included for Injector, Drencher and Pour On applications
- Removable barrel for cleaning
- Replaceable front valve and spring with lock-in-place feature
- Durable Plastic Design
- Easy V-grip for high volume use
- Amber Colored Barrel reduce UV sun light exposure



**12.5EM-SDP**  
*(Adjustable dosage from .5ML to 12.5ML)*  
SKU: 12.5EM-SDP



**30EM-SDP**  
*(Adjustable dosage from 5ML to 30ML)*  
SKU: 30EM-SDP



**70EM-SDP**  
*(Adjustable dosage from 7.5ML to 70ML)*  
SKU: 70EM-SDP

## HSW ECO-MATIC® TWIN



### The Market's First Lightweight, Ergonomic Compact Double Barrel Plastic Syringe

- Simultaneous vaccination of two products independently
- Premium quality plastic syringe with durable plastic barrels
- Reusable - The only plastic syringe that can be boiled
- Ergonomic, lightweight design for comfort and ease of use
- Bottle mount and/or tubing connection
- Adjustable barrel orientation for comfort and different bottle sizes



- Unique Patent Pending Needle Nut Swivel Design

Needle distance can be adapted to the age, size and species of the animal  
Seven different distances:

20mm - 21.1mm - 22mm - 28mm - 32mm - 34.9mm - 36mm

- Four Fixed Dose Barrel combinations available:

#### Package Includes:

- Two Universal Bottle Collars (20mm & 30mm)
- Two Universal Spigot Draw-off Collars (4-6mm)
- Two soft PVC tubing

Allflex SKU	Allflex Description
1/1 EM-TWIN	1/1 EM TWIN Syringe With Accessory Pack
2/2 EM-TWIN	2/2 EM TWIN Syringe With Accessory Pack
1/2 EM-TWIN	1/2 EM TWIN Syringe With Accessory Pack
.5/2 EM-TWIN	.5/2 EM TWIN with Accessory Pack

SKU	Description
Twin-B-L-EM.5ML	Twin Barrel left 0.5ml Universal
Twin-B-L-EM1ML	Twin Barrel left 1ml Universal
Twin-B-L-EM2ML	Twin Barrel left 2ml Universal
Twin-B-R-EM.5ML	Twin Barrel right 0.5ml Universal
Twin-B-R-EM1ML	Twin Barrel right 1ml Universal
Twin-B-R-EM2ML	Twin Barrel right 2ml Universal
EM.5ORING	Piston o-ring 0.5ml
EM1ORING	Piston o-ring 1ml
EM2ORING	Piston o-ring 2ml
TWIN FRONT WASHER	Front Sealing washer stepped
TWIN FRONT LUER LOCK	Front part II hexagonal
TWIN SWIVEL NUT	Twin Swivel Nut



## Drenchers



#### 10VM Drencher

(Adjustable dosage from .5ml to 10ml)

SKU: 10VM-D

#### 20VM Drencher

(Adjustable dosage from 1ml to 20ml)

SKU: 20VM-D

#### 10vm & 20vm Drenchers

- Automatic self-filling tube feed
- Designed to be used as an injector or drencher
- Accurately delivers selected dose
- Easy V-grip for high volume use
- Easy-to-adjust handle tension for improved performance
- Durable metal and plastic design
- Double O-ring piston
- Easy-to-clean external valves and removable piston shaft
- Amber-colored barrel and tubing reduce UV sunlight exposure

#### 70ml & 200ml Drenchers

- Durable barrel with metal push rod and piston
- Dosage calibrations controlled by distal screw
- Easy-to-use grip



#### 70ml Drencher

(Adjustable dosage from 10ml to 70ml)

SKU: UKAL-70ML

#### 200ml Drencher

(Adjustable dosage from 10ml to 200ml)

SKU: UKAL-200ML

#### 10ml Nylon Syringe

(Adjustable dosage from 1ml to 10ml)

SKU: TU MASTERLINE-10ML

#### 20ml Nylon Syringe

(Adjustable dosage from 1ml to 20ml)

SKU: TU MASTERLINE-20ML

#### 50ml Nylon Syringe

(Adjustable dosage from 5ml to 50ml)

SKU: TU MASTERLINE-50ML

#### 10ml, 20ml & 50ml Nylon Syringes

- Durable clear nylon construction with comfort handle
- Metal Luer Lock Tip and Plunger Shaft
- Visible barrel scale with dosage increments
- Fully boilable for disinfection
- Individually packaged including spare O-ring parts
- Available in 10ml, 20ml and 50ml



SKU	Description
TU FLEX-MASTER A 10 ML LL	TU MASTERLINE 10ML SYRINGE
TU FLEX-MASTER A 20 ML LL	TU MASTERLINE 20ML SYRINGE
TU FLEX-MASTER A 50 ML LL	TU MASTERLINE 50ML SYRINGE
TU FLEX-MASTER B 10 ML LL	TU MASTERLINE/DOSAGE LOCK 10ML SYRINGE
TU FLEX-MASTER B 20 ML LL	TU MASTERLINE/DOSAGE LOCK 20ML SYRINGE
TU FLEX-MASTER B 50 ML LL	TU MASTERLINE/DOSAGE LOCK 50ML SYRINGE

## SG-Nozzle

SG-Nozzle threads into the luer lock syringe to make a syringe into a drencher for sheep and goats

SKU: SG-NOZZLE



## Back Pack

2.5 Liter Back Pack: SKU: BACK25

5 Liter Back Pack: SKU: BACK5L

Back Pack comes with straps



## Draw Off Color Coded Caps

20mm (white): SKU: HD20W

30mm (blue): SKU: HD30B

33mm (green): SKU: HD33G



SKU: SYR-EXT29CM

## Extension Syringe

- Allows for increased distance to breeding animals
- Enhances user safety
- Long lasting strong and durable carbon-metal design
- Heavy metal luer needle lock
- Ergonomic and lightweight
- Optimized for use with Allflex syringe line



SKU: SE17

## Injection Bar for Swine

- Allows for increased distance to breeding animals
- Enhances user safety
- Reduce user exposure to crates and gating
- Time saving for mass vaccinations
- Long lasting strong and durable Carbon-metal design
- Heavy metal luer needle lock
- Kink protection for tubing
- Ergonomic and light weight
- Optimized for use with Allflex syringe line

## Bottle Holders

- Constructed of premium quality Neoprene
- Hanging/Belt and Arm models available
- Designed to fit and protect medicine and vaccine bottles
- Prevents or reduces vaccine temperature fluctuations
- Protects glass bottle from outside impact
- Shields vaccine from harmful UV lights
- Easy and comfortable use
- Built in needle holders from convenience
- Three sizes available: Small, Medium and Large



SKU's: HSW-BH-ARM SMALL HSW-BH-BELT SMALL  
 HSW-BH-ARM MEDIUM HSW-BH-BELT MEDIUM  
 HSW-BH-ARM LARGE HSW-BH-BELT LARGE

## PRIMING A SYRINGE

Priming the syringe eliminates air from the system, assuring the proper dose is administered.

- 1 Position the dosage indicator to approximately half the capacity of the cylinder.
- 2 Pump the handle until the medication is expelled from the needle or nozzle in an unbroken stream. To avoid loss of medication during priming, insert sterile needle or nozzle into the neck of the container.

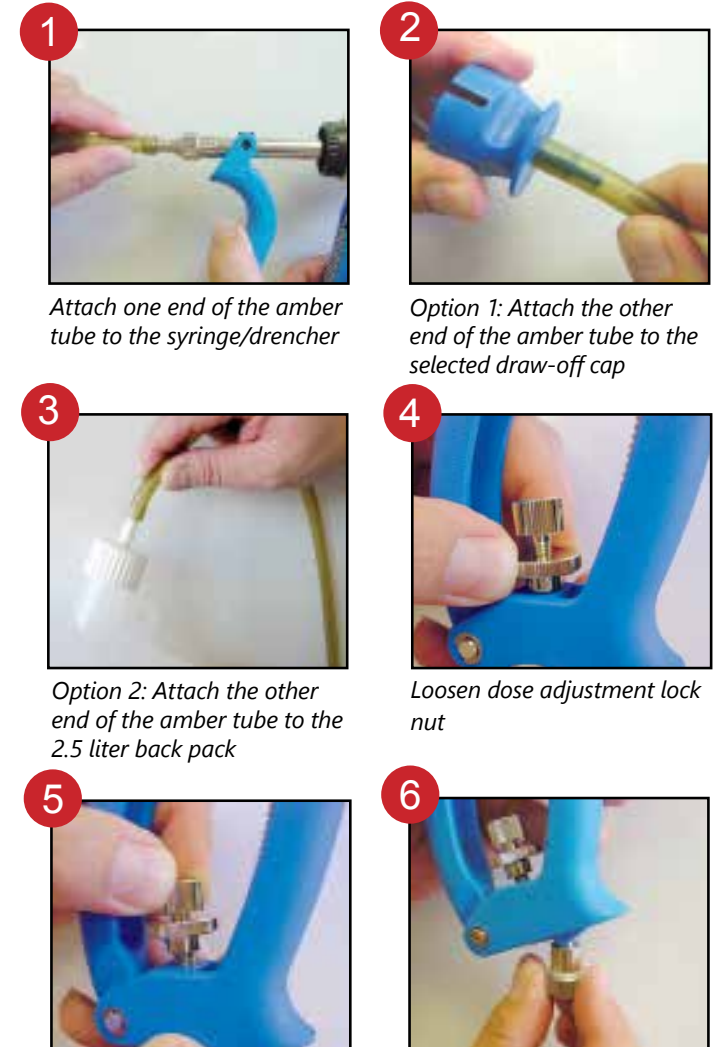
## SYRINGE CLEANING & MAINTENANCE

Proper care can extend the life of your Allflex syringe. After use, or when switching medications, the cylinder and feed tube should be thoroughly cleaned. Note: See Frequently Asked Questions for boiling technique.

- 1 Add 4-5 cc of detergent to one quart of hot water. Note: When using modified live virus vaccines, use caution selecting detergent. Avoid antibacterial/ disinfectant soap as it may harm the vaccine.
- 2 Set the dosage system on maximum and briskly pump the hot detergent solution through the medication reservoir, feed tube and instrument.
- 3 Rinse by pumping clean water through the reservoir, feed tube and instrument until water is expelled.
- 4 Pump dry and remove the tubing.
- 5 To maintain the O-rings and valves, periodically lubricate the syringe with a small amount of castor oil or vegetable oil. Note: Do not use mineral oil, silicone, WD40, glycerin or alcohol. Petroleum-based products harden the rubber rings and valves, reducing the life of the components.

## USING A TUBE FED SYRINGE

To attach a medication reservoir:



Attach one end of the amber tube to the syringe/drencher



Option 1: Attach the other end of the amber tube to the selected draw-off cap



Option 2: Attach the other end of the amber tube to the 2.5 liter back pack



Loosen dose adjustment lock nut



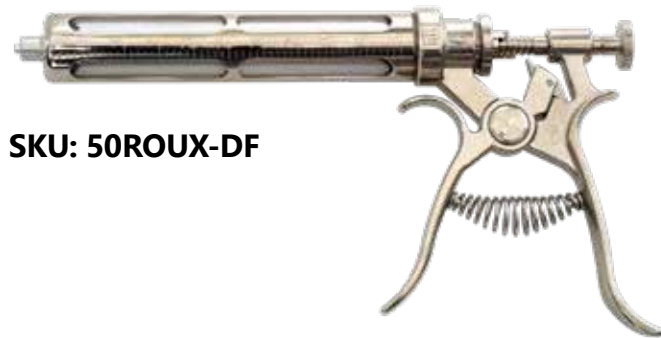
Turn dosing adjustment screw to set the required dosage. Retighten lock nut



Handle spring pressure can be adjusted for comfort and tension

**\* We no longer accept returns on products shipped to swine facilities as part of our biosecurity commitment.**

## MASTERLINE SYRINGES From Destron Fearing™



**SKU: 50ROUX-DF**

### ROUX REVOLVER 50ML SYRINGE

- Proven Pistol Grip Design
- Durable Metal Construction with a glass barrel
- High quality for long service life

### BOTTLE MOUNT/TUBE FEED 2ML INJECTOR SYRINGE

- Automatic self-filling syringe with luer lock tip
- F-Grip design for high volume use
- Adaptable for bottle or tube feed configurations



**SKU: 2FG RIP-BT/T**

High Quality Animal Management Tools from Destron Fearing™

## MASTERLINE SYRINGES From Destron Fearing™



**SKU: 6VGRIP-BT/T**  
*(Bottle Top Shown)*  
BOTTLE MOUNT/TUBE FEED  
6ML INJECTOR SYRINGE  
(Dosage: .5ml to 6ml)



**SKU: 12.5VGRIP-BT/T**  
*(Luer Shown)*  
BOTTLE MOUNT/TUBE FEED  
12.5ML INJECTOR SYRINGE  
(Dosage: 1ml to 12ml)



**SKU: 30VGRIP-D**  
*(Drencher Shown)*  
BOTTLE MOUNT/TUBE FEED  
30ML DRENCHER  
(Dosage: 4ml to 30ml)

### BOTTLE MOUNT/TUBE FEED INJECTOR SYRINGES

- Automatic self-filling syringe with Luer Lock Tip
- Easy V-Grip design with soft comfort grips for high volume use
- Easy set dial-a-dosage with easy view dosage window
- Adaptable bottle Feed or Tube Feed Configurations
- Removable plastic barrel for cleaning
- Replaceable front and rear valve
- Unique Spring Adjustor for custom handle tension for different medication viscosity
- Minor Maintenance Kit (6VGRIP-SK) included with each syringe
- Available in 3 sizes: 6ML Syringe, 12.5ML Syringe and 30ML Drencher

High Quality Animal Management Tools from Destron Fearing™





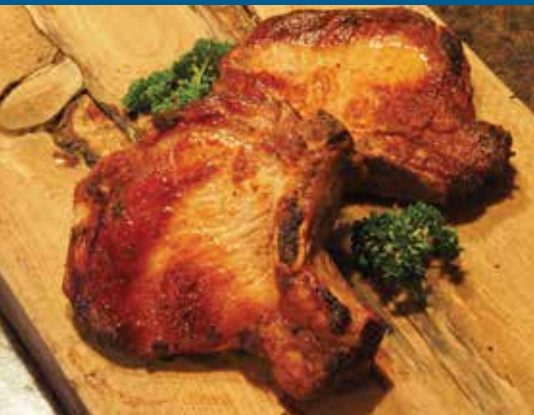
[www.allflex.global/us/](http://www.allflex.global/us/)

**Allflex USA, Inc.**

2805 E. 14th Street • P.O. Box 612266  
Dallas/Fort Worth Airport, TX 75261-2266  
(800) 989.TAGS

**Allflex Canada**

4135 Bérard  
St-Hyacinthe, QC J2S 8Z8  
(866) 505.TAGS



SKU# ACAT1802